

MAKAU STREET

306' 00" → 70.00

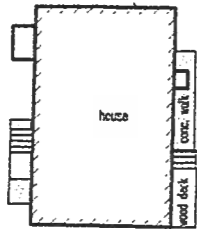
200.39

LOT 295
13,787 Sq. Ft.
(13,764 Sq. Ft.)

195.52

LOT 294

LOT 296



216' 00"

ENLARGEMENT A

ENLARGEMENT B

Area of Erosion
21 Sq. Ft.

Shoreline follows along the seaward face of wall
As Certified on December 12, 2016
and Relocated on November 1, 2020.

MAKAU STREET

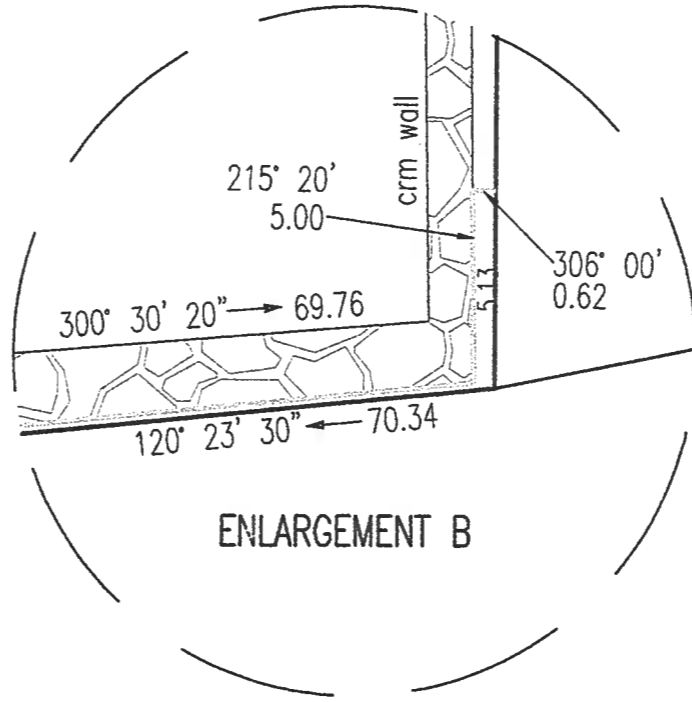
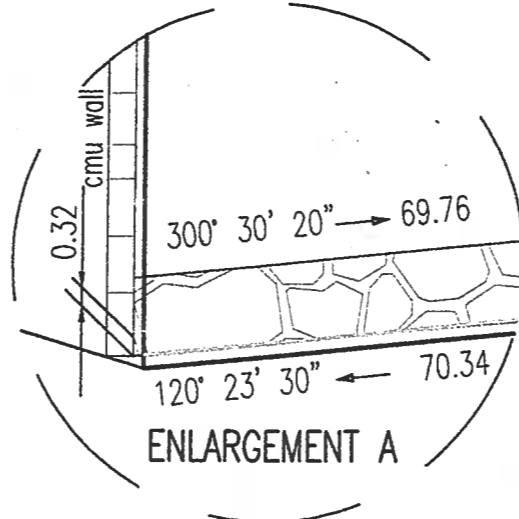


SHORELINE MAP

LOT 295

Land Court Application 1052
as Shown on Map 7
Wakaha, Waianae, Oahu, Hawaii

Tax Map Key: (1)8-4-009:020
Date: November 2, 2020
Scale: 1 Inch = 30 Feet
Owner: Giancaterino, Wayne S Tr.



This work was prepared by me
or under my supervision

Wesley T. Tengan EXP. 4/22
WESLEY T. TENGAN
LICENSED PROFESSIONAL LAND SURVEYOR
Certificate Number 6958