

Lot 28.  
Homestead Map 3.  
Kaapahu.

Christian Jensen

**Copy Furnished for Grant**

Aug 19<sup>th</sup> 1897

**Grant No.** 4062

File in Contm 77

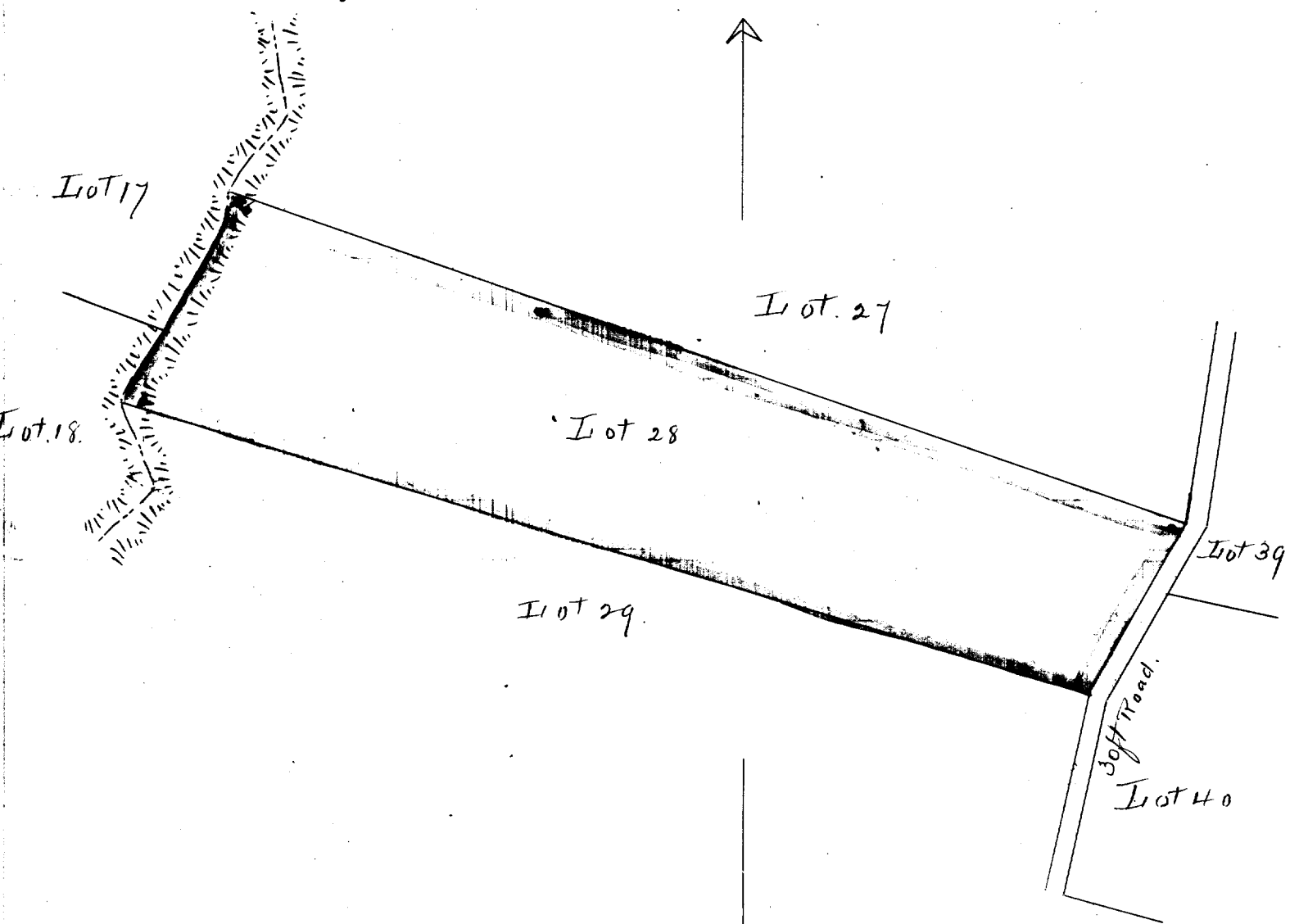
Description of Lot 28. Homestead Map. 3.  
 Kaapahu, etc., Hamakua, Hawaii.

Beginning at the south corner of Lot 27, at 30 ft. road, this point being S. 71° 22' E. 847 ft. approx. from Kalaiaia Station, thence running by true bearings:

1. N. 71° 0' W. 1933 ft. along Lot 27 to middle of Gulch
  2. S. 23° 20' W. 293 " " bottom of Gulch.
  3. S. 30° 55' W. 155 " " — " —
  4. S. 73° 10' E. 1918 " " Lot 29 to 30 ft road.
  5. N. 30° 25' E. 373 " " 30 ft road to point of beginning
- and containing an area of 18 acres.

Notes of Survey by O. Johnson  
 Survey by J. F. Brown.

Nov. 7th 1895



Scale - 300 ft = 1 inch.